



WWW.BARRYIND.COM

RS1206ZZ-XXXXWN-YY*

FLIP CHIP RESISTOR

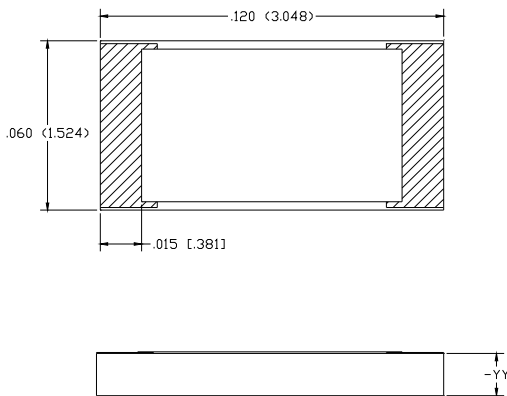
Features:

- ◆ Alumina, BeO or Aluminum Nitride Material
- ◆ Flip Chip - No Backpad

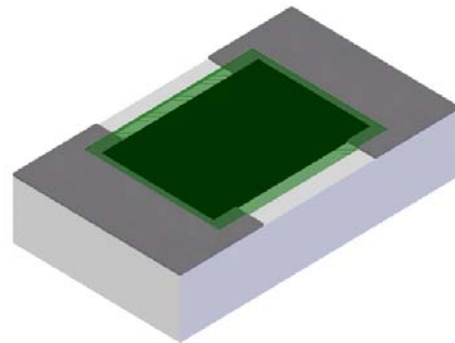
General Description:

The RS1206ZZ-XXXXWN-YY* series is a flip chip resistor. It offers a small package design available in Alumina, BeO and Aluminum Nitride.

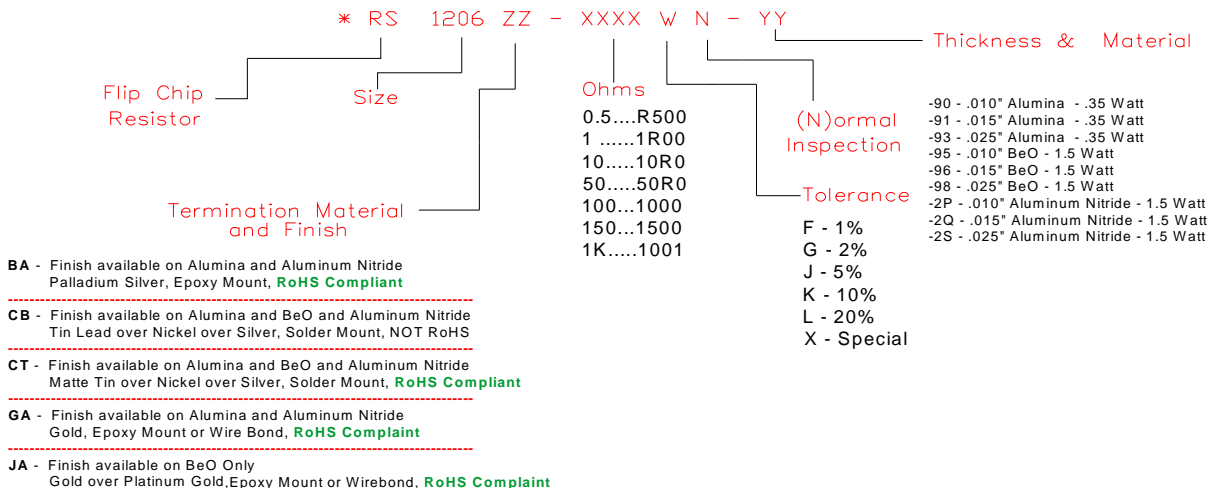
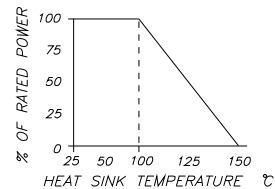
* See below for ordering options.



Dimensions in inches [mm]
Tolerance ± .005 [.127]
unless otherwise stated



DERATING CURVE:



Barry Industries reserves the right to change part number and or process without notification.

Barry Industries, Inc., 60 Walton St., Attleboro, MA 02703 T: 508-226-3350 F: 508-226-3317 E-mail: ABSales@Vishay.com

Barry Industries maintains an ISO 9001 Certified Quality Management System

Origination Date	Revision Date	Rev.
02/10/09	02/10/09	-